

S5032 SMD Type Crystal

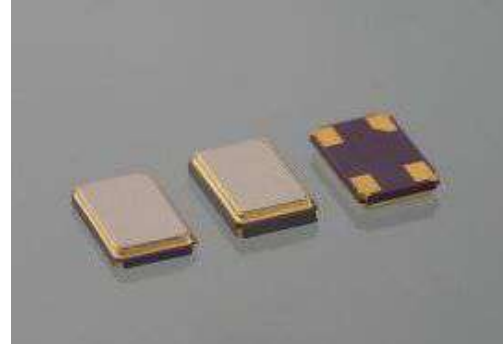
Features

Ideal for OA/AV applications and Accessories for OA / AV 、 Mobile Communications、 Automotive Compact and thin. (5.0×3.2×1.3mm type.) by seam seal.

Supports low frequencies starting from 7.6MHz.

Excellent environmental characteristics,including heat and shock resistance.

Meets the requirements for re-flow profiling using lead-free solder.



Specifications

Frequency Range	7.600MHz ~ 156.000MHz
Mode of Oscillation	Fundamental,3 rd
Frequency Tolerance at 25℃	±30ppm Max or specify(±5ppm、 ±10ppm、 ±30ppm)
Frequency Stability Over Temperature	±30ppm Max or specify(±10ppm、 ±30ppm)
Operating Temperature Range	-20 ~ +70℃ standard,or -40 ~ +85℃ Extended
Storage Temperature Range	-40 ~ +85℃
Aging	± 3ppm / year Max
Load Capacitance	8pf ~ 32pf or specify
Equivalent Series Resistance (ESR)	See Table
Shunt Capacitance	4.0pf Max
Drive Level	0.01μW- 100μW

Resistance of Series Resonance (ESR)					
Frequency (MHz)	Mode	Ohm Max	Frequency(MHZ)	Mode	Ohm Max
8.000 ~16.000	Fundamental	80	30.001. ~50.000	Third Overtone	100
16.001 ~30.000	Fundamental	50	50.001. ~156.000	Third Overtone	90

Operating Temperature Range

Operating Temperature Range	Frequency Stability
0 ~ +70℃	±10ppm、 ±30ppm or specify
-20 ~ +70℃	±10ppm、 ±30ppm or specify
-40 ~ +85℃	±10ppm、 ±30ppm or specify
-40 ~ +105℃	N/A
-60 ~ +125℃	N/A



THINK SAW, THINK STRONG!

PART NO. SYSTEM

S5032-32.000M-20pF-30ppm

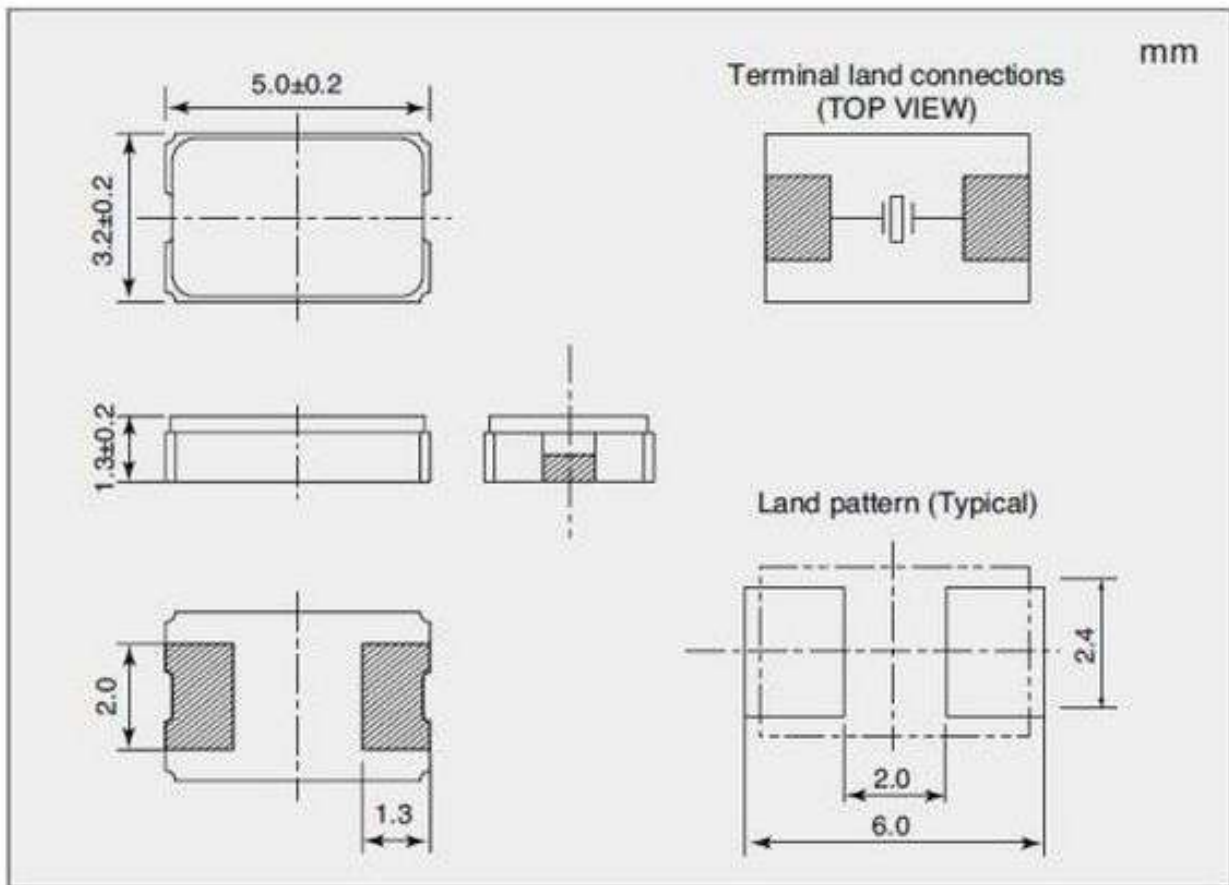
S	5032	32.000M	20pF	30ppm
1	2	3	4	5

EXPLANATION:

1	STRONG LOGO
2	5.0*3.2mm
3	Center Frequency
4	Load Capacitance
5	Frequency Tolerance and Stability, for details, welcome to contact our sales and agent

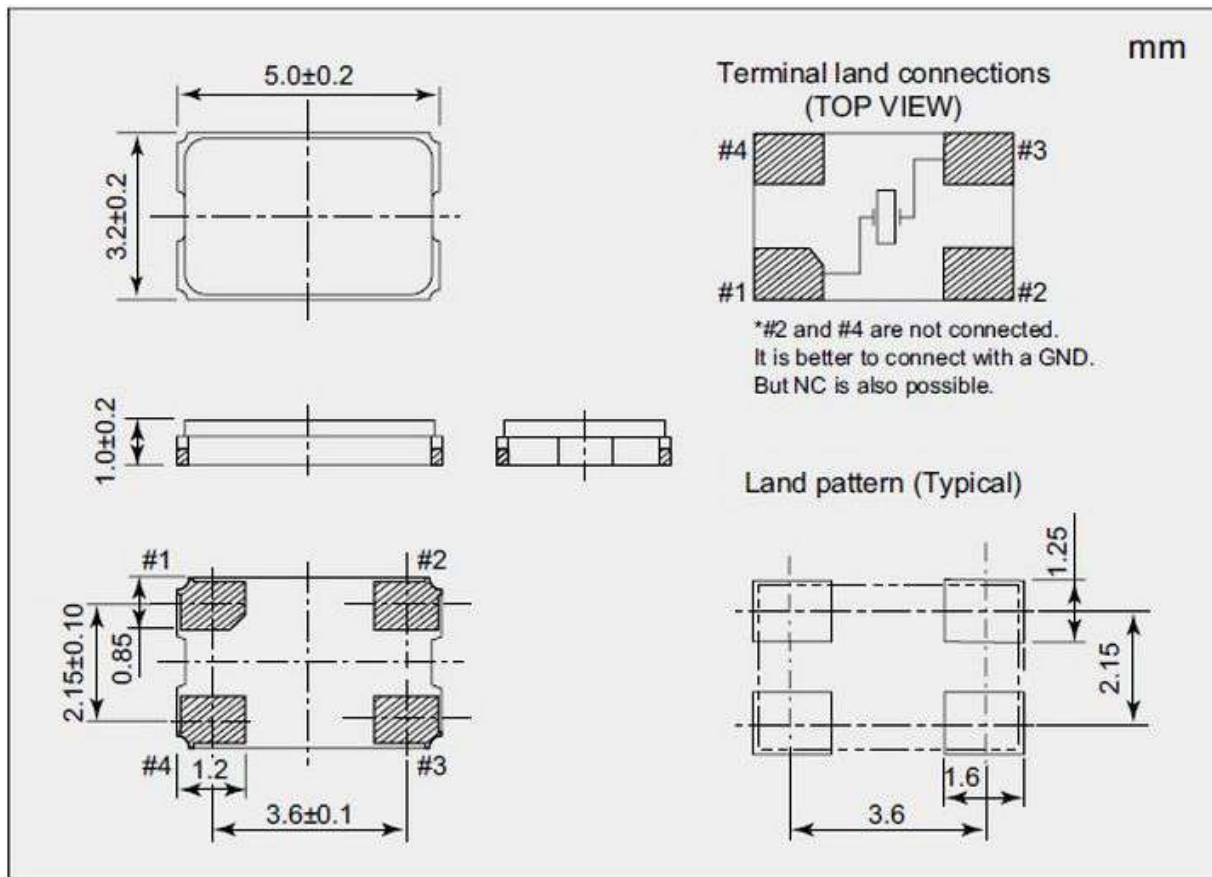
Dimensions (mm)

2pad

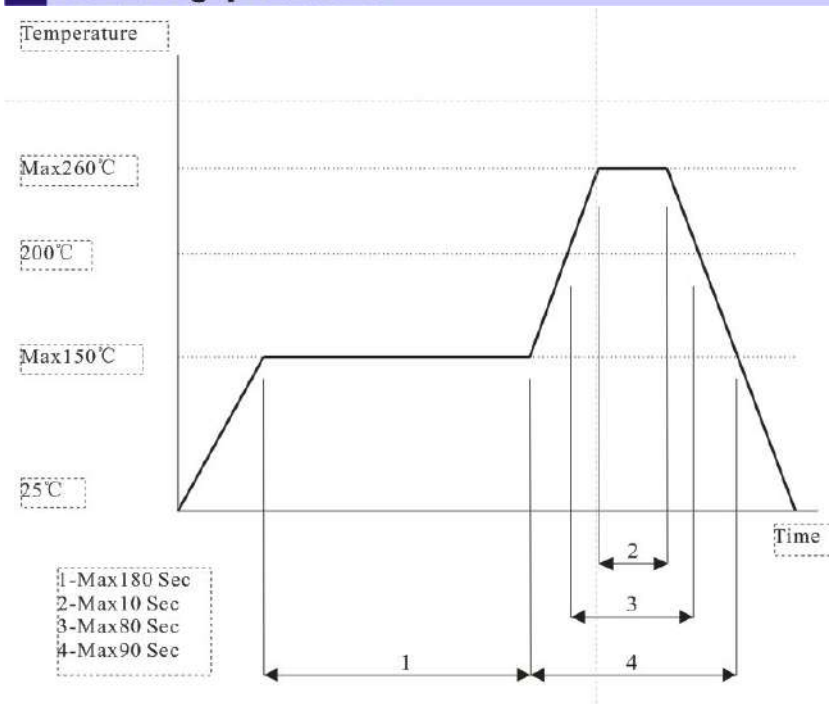


Strong Electronics&Technology Limited
 Tel: 86-755-84528985 Fax:86-755-84528986
 Email:sales@strongelectronics.net
 www.sawfilter.cn

4pad

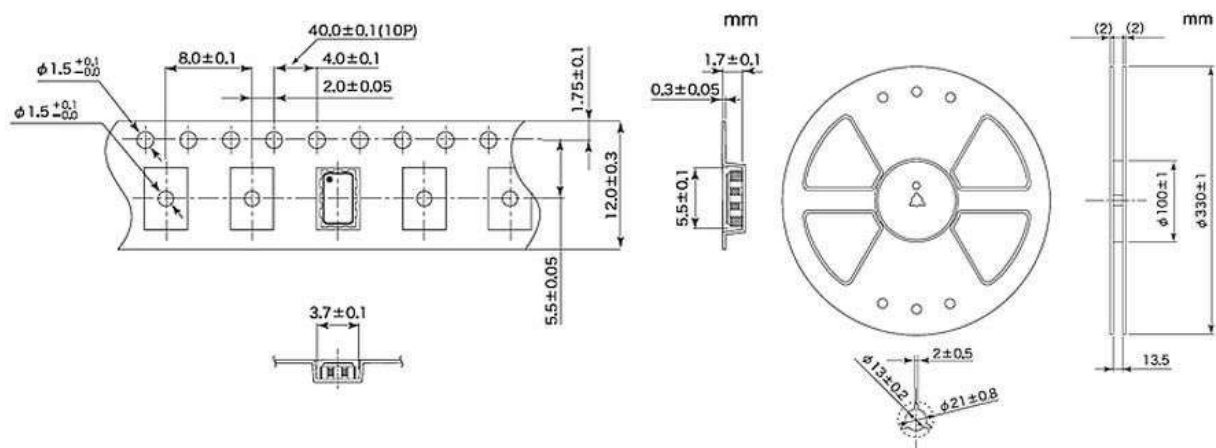


Soldering procedure



Strong Electronics&Technology Limited
Tel: 86-755-84528985 Fax:86-755-84528986
Email:sales@strongelectronics.net
www.sawfilter.cn

Packing (2000/pcs)



Strong Electronics&Technology Limited
Tel: 86-755-84528985 Fax:86-755-84528986
Email:sales@strongelectronics.net
www.sawfilter.cn