

Precision Devices, Inc.



8840 N. Greenview Dr.
Middleton, WI 53562
Phone: 608-831-4445
1-800-274-XTAL
Fax: 608-831-3343



Visit our web site at www.pdixtal.com

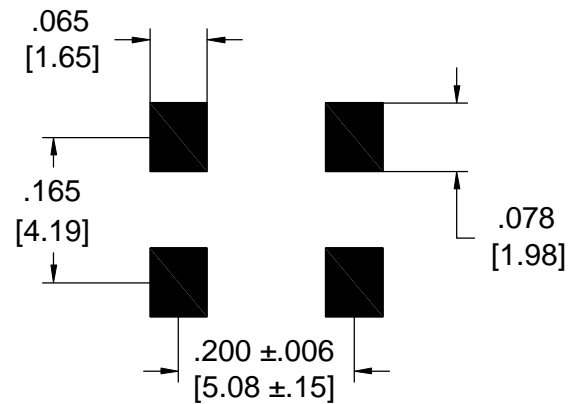
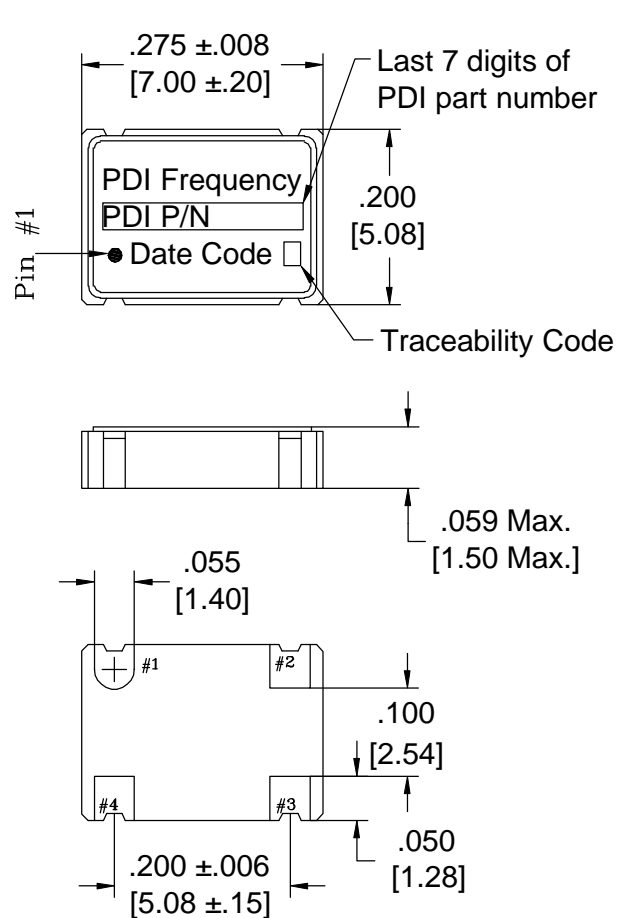
Sales Information sales@pdixtal.com

Electrical Specifications

1. Frequency: 4.096000MHz
2. Output: HCMOS
3. Frequency Tolerance @ 25°C: ±50.0ppm
4. Operating Temperature Range: -40°C to +85°C
5. Frequency Stability: ±50.0ppm inclusive of aging and temp stability over the life of the part
6. Storage Temperature Range: -55°C to +125°C
7. Duty Cycle: 45/55% Max.
8. T-Rise, T-Fall: 6.0nS Max., 2.0nS Typ.
9. Supply Current: 10.0mA Max.
10. Supply Current O.T.: N/A
11. Supply Voltage: +5.0Vdc ±10%
12. Load: 50.0pF or 10 TTL
13. Shock: Per MIL-STD-202, Method 213, Condition C
14. Vibration: Per MIL-STD-883 Method 2007, Condition A
15. Start Up Time: 10mSec Max.
16. Jitter: +/- 40 ps peak to peak Max.

The information contained in this drawing is the sole property of Precision Devices Inc. Any reproduction in part or as a whole without the written permission of Precision Devices Inc. is prohibited.

REV.	DATE	PAGE	DESCRIPTION	Auth.	ECN	Originator	Date	Engineering	Date
						AH	7/13/05	MB	7/13/05
						TITLE Crystal Oscillator Assembly		FKA 4987	
						PART NUMBER OC7T04096XHCDDXX			
A	7/05	1	Added Items 13, 14, 15, & 16. Added "...inclusive of aging and temp stability over the life of the part." to Item 5	AH	E0644	DATE 7/13/05	SCALE N.T.S.	ECN. E0644	REV. A
						SIZE A	CAGE OS4G1		Page 1 of 2



Recommended Land Pattern

PIN	CONNECTION
1	Tri-State
2	Ground
3	Output
4	Vcc

Precision Devices Inc.

8840 N. Greenview Dr.
Middleton WI 53562
608-831-4445
1-800-274-XTAL



Manufacturer of Quartz Crystal Products

DECIMAL	DWG FILE	PART NUMBER	
XX=±.020 XXX=±.008	4987	OC7T04096XHCDXX	
METRIC	SCALE	FREQUENCY	DRAWN BY
XX=±.50 XXX=±.20	N.T.S.	4.096000 MHz	A. Hickman
ANGULAR	DRAWING TYPE	DATE	
XX=±2°	Ceramic Crystal Oscillator Assembly	7/13/05	
	REV. LEVEL	ECN NO.	CAGE CODE
	A	E0644	OS4G1