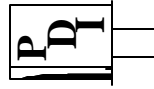
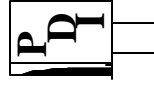


Precision Devices, Inc.



8840 N. Greenview Dr.
Middleton, WI 53562
Phone: 608-831-4445
1-800-274-XTAL
Fax: 608-831-3343



Visit our web site at www.pdixtal.com

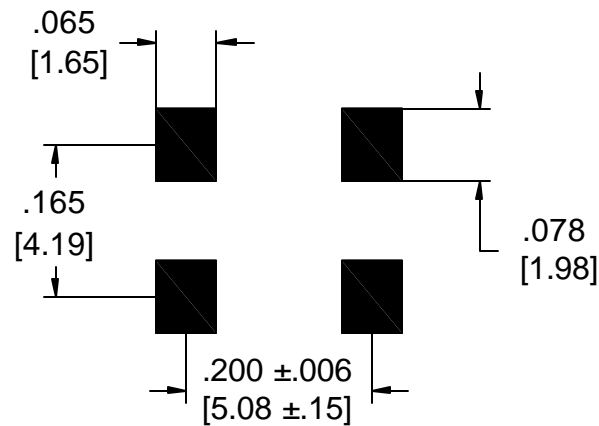
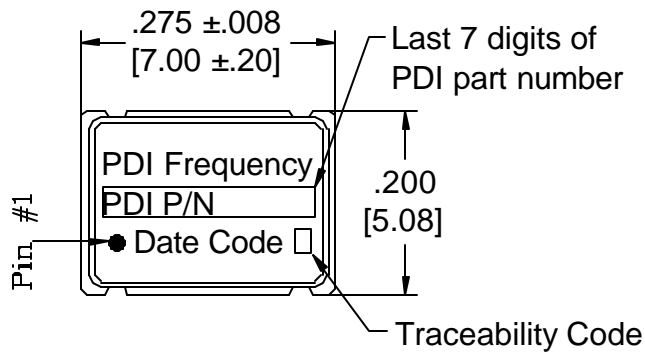
Sales Information sales@pdixtal.com

Electrical Specifications

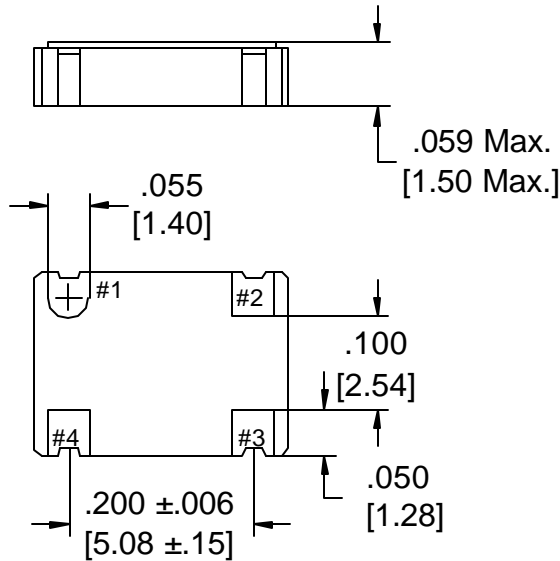
1. Center Frequency: 3.072000 MHz
2. Output: TTL/CMOS
3. Frequency Tolerance @ 25°C: ± 50 ppm
4. Operating Temperature Range: -40°C to +85°C
5. Frequency Stability: ± 50 ppm
6. Storage Temperature Range: -55°C to 125°C
7. Duty Cycle: 45%/55% Min., 40/60% Max.
8. T-Rise, T-Fall: 2.0nS Typ., 6.0nS Max.
9. Supply Current: 20mA for 20MHz, 35mA for 60MHz
10. Supply Voltage: +3.3Vdc $\pm 10\%$
11. Start-Up Time: 15mS Max.

The information contained in this drawing is the sole property of Precision Devices Inc. Any reproduction in part or as a whole without the written permission of Precision Devices Inc. is prohibited.

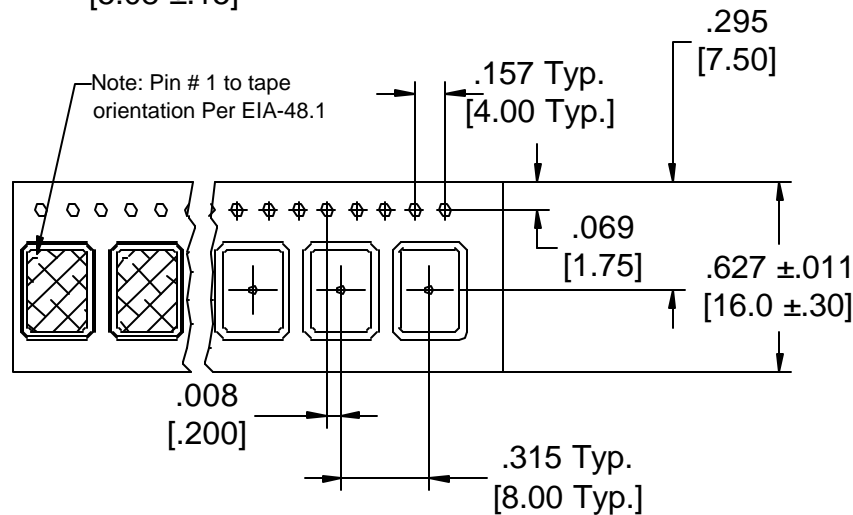
REV.	DATE	PAGE	DESCRIPTION	Auth.	ECN	Originator	Date	Engineering	Date
						J.L.	11/5/07	B.A.	11/5/07
						TITLE Crystal Oscillator Assembly		FKA 2680R	
						PART NUMBER OC7E03072XCDDR			
						DATE 11/5/07	SCALE N.T.S.	ECN. N/A	REV. N/A
						SIZE A	CAGE 0S4G1		Page 1 of 2



Recommended Land Pattern



PIN	Connection
1	Enable/Disable
2	Ground
3	Output
4	Vcc



Precision Devices Inc.

8840 N. Greenview Dr.
Middleton WI 53562
608-831-4445
1-800-274-XTAL

Manufacturer of Quartz Crystal Products

DECIMAL	DWG FILE	PART NUMBER	
XX=±.020 XXX=±.008	2680R	OC7E03072XCDDR	
METRIC	SCALE	FREQUENCY	DRAWN BY
XX=±.50 XXX=±.20	N.T.S.	3.072000 MHz	J.Lawinger
ANGULAR	DRAWING TYPE	DATE	
XX=±2°	Crystal Oscillator Assembly	11/5/07	
	REV. LEVEL	ECN NO.	CAGE CODE
	N/A	N/A	0S4G1