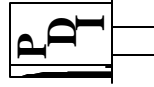
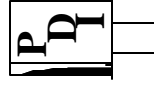


Precision Devices, Inc.



8840 N. Greenview Dr.
Middleton, WI 53562
Phone: 608-831-4445
1-800-274-XTAL
Fax: 608-831-3343



Visit our web site at www.pdixtal.com

Sales Information sales@pdixtal.com

Electrical Specifications

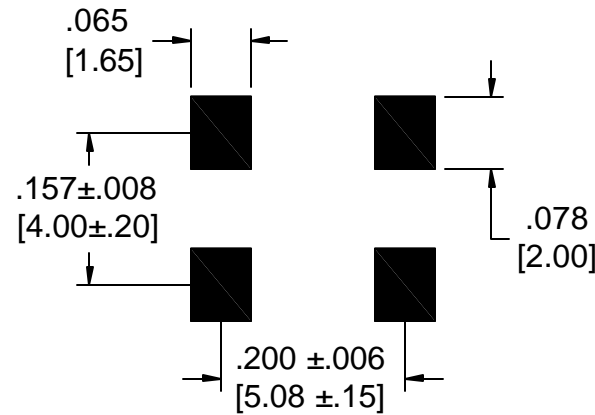
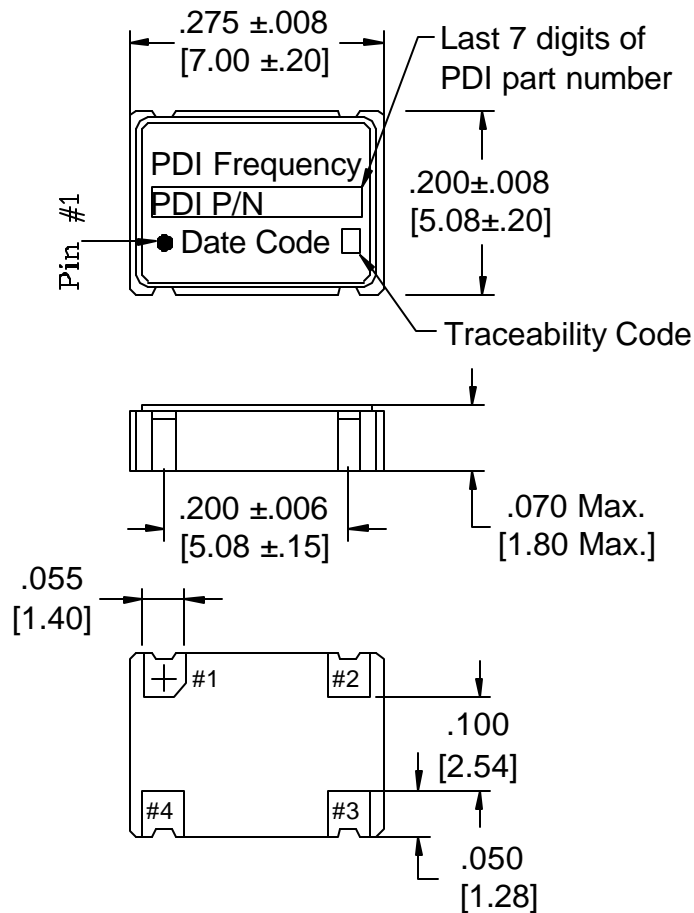
- Center Frequency: 1.025000 MHz
- Output: TTL/CMOS
- Frequency Tolerance @ 25°C: See Frequency Stability
- Operating Temperature Range: 0°C to +75°C
- Frequency Stability: ± 100 ppm (Including Calibration @25°C, Operating Temperature, Supply Voltage Variations, Aging 20 years)
- Storage Temperature Range: -55°C to 125°C
- Duty Cycle (TTL @1.4V, CMOS @50%Vcc): 45% /55%
- T-Rise, T-Fall: 6.0nS maximum
- Supply Current: 25mA maximum
- Supply Voltage: +3.3Vdc ± 0.15 Vdc
- Output Voltage: TTL at 0.4V to 2.4V
Output Voltage: CMOS at 10%Vcc to 90%Vcc
- Load Capacitance: 15pf
- Phase Jitter: 100ps maximum (peak to peak)
- Fanout (1 to 5 gates): 1.6mA/gate

Note:

- 1) 6 days aging Minimum @ 105°C
- 2) 24 hour settle time before 100% testing @ 25°C
- 3) Sample Perturbation Test Every 1°C: ± 5 ppm Maximum

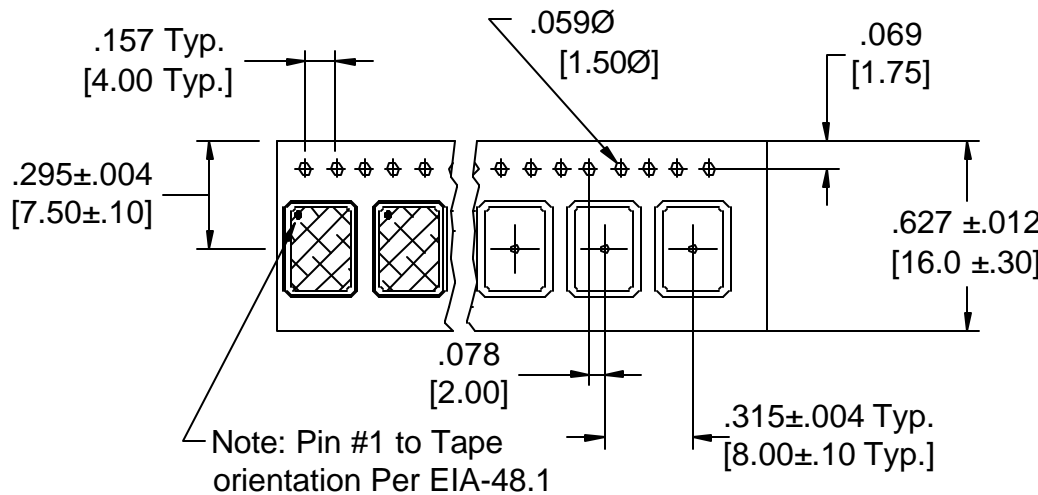
The information contained in this drawing is the sole property of Precision Devices Inc. Any reproduction in part or as a whole without the written permission of Precision Devices Inc. is prohibited.

| REV. | DATE | PAGE | DESCRIPTION | Auth. | ECN | Originator | Date | Engineering | Date |
|------|-------|------|--|-------|-------|-------------------------------------|-----------------|-------------|-------------|
| | | | | | | J.L. | 10/24/08 | C.S. | 10/24/08 |
| | | | | | | TITLE | | FKA | 6472R |
| | | | | | | Ceramic Crystal Oscillator Assembly | | | |
| | | | | | | PART NUMBER | OC7E01025XCDNRX | | |
| | | | | | | DATE | SCALE | ECN. | REV. |
| | | | | | | 10/24/08 | N.T.S. | E0835 | A |
| A | 10/08 | 1 | Changed Perturbation testing per engineering request | J.L. | E0835 | SIZE | CAGE | | Page 1 of 2 |
| | | | | | | A | 0S4G1 | | |



Recommended Land Pattern

| PIN | Connection |
|-----|----------------|
| 1 | Enable/Disable |
| 2 | Ground |
| 3 | Output |
| 4 | Vcc |



Precision Devices Inc.

8840 N. Greenview Dr.
 Middleton WI 53562
 608-831-4445
 1-800-274-XTAL

Manufacturer of Quartz Crystal Products

| DECIMAL | DWG FILE | PART NUMBER | |
|-----------------------|-------------------------------------|-----------------|------------|
| XX=±.020 XXX=±.008 | 6472R | OC7E01025XCDNRX | |
| METRIC | SCALE | FREQUENCY | DRAWN BY |
| XX=±.50 XXX=±.20 | N.T.S. | 1.025000 MHz | J.Lawinger |
| ANGULAR | DRAWING TYPE | DATE | |
| XX=±2° | Ceramic Crystal Oscillator Assembly | 10/24/08 | |
| | REV. LEVEL | ECN NO. | CAGE CODE |
| | A | E0835 | 0S4G1 |