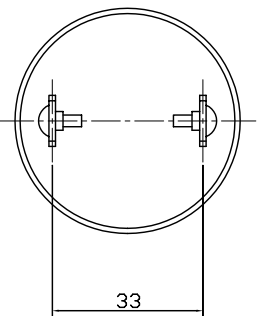
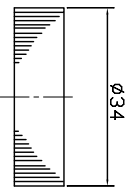
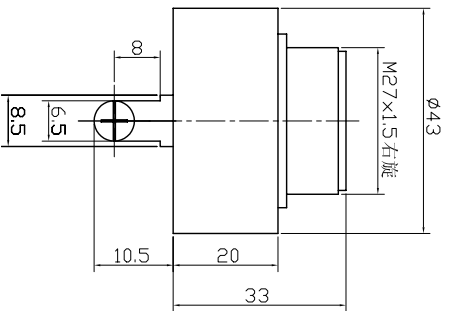
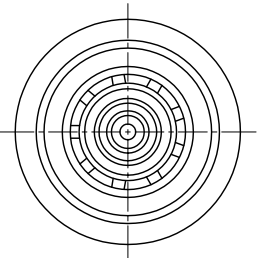


## SPECIFICATION

- 1. Rated Voltage ..... 230VAC
- 2. Operating Voltage ..... 200~240VAC
- 3. Max. Rated Current ..... 20mA at 230VAC
- 4. Min. Sound Pressure Level ..... 80dB at 230VAC/60cm
- 5. Tone Nature ..... Continuous
- 6. Resonant Frequency ..... 2.9±0.5KHz
- 7. Case Material ..... PC
- 8. Operating Temperature ..... -20~+80°C
- 9. Store Temperature ..... -30~+100°C
- 10. Weight ..... 40g



No.	DESCRIPTION	APPROVED	DATE	<b>КЕРО</b> NINGBO KEEP IMPROVING ELECTRONIC CO.,LTD <a href="http://www.chinaacoustic.com">http://www.chinaacoustic.com</a> Piezo Buzzer KPL-4321-230
TOLERANCES UNLESS NOTED OTHERWISE		APPROVALS	DATE	
XX ±	DRAWN			
XXX ±	CHECKED			
FIRST ANGLE PROJECTION		APPROVED	03.05.07	UNIT mm
				DWG. NO. КР3.840.098
				SCALE NOT TO SCALE
				SHEET
				VER. 1.0